

- | | |
|---|---------------------------------|
| 1. Metal Studs wall cavity | 13. Pressure gasket |
| 2. Substrate | 14. Stainless steel spring clip |
| 3. Moisture barrier | |
| 4. Vertical support aluminum extrusion | |
| 5. Aluminum horizontal Z-girts (or double L angles) | |
| 6. LONGOTON® terra cotta panel | |
| 7. Terra cotta panel middle aluminum clip | |
| 7.1 Terra cotta panel top aluminum clip | |
| 8. Anchor clip | |
| 9. Blocking | |
| 10. Aluminum snap-on coping cap | |
| 11. Formed aluminum non continuous support clip | |
| 12. Cleat | |

Version-7.0

SYSTEM: LONGOTON	DETAIL No.	OPTION.
M2	14	a

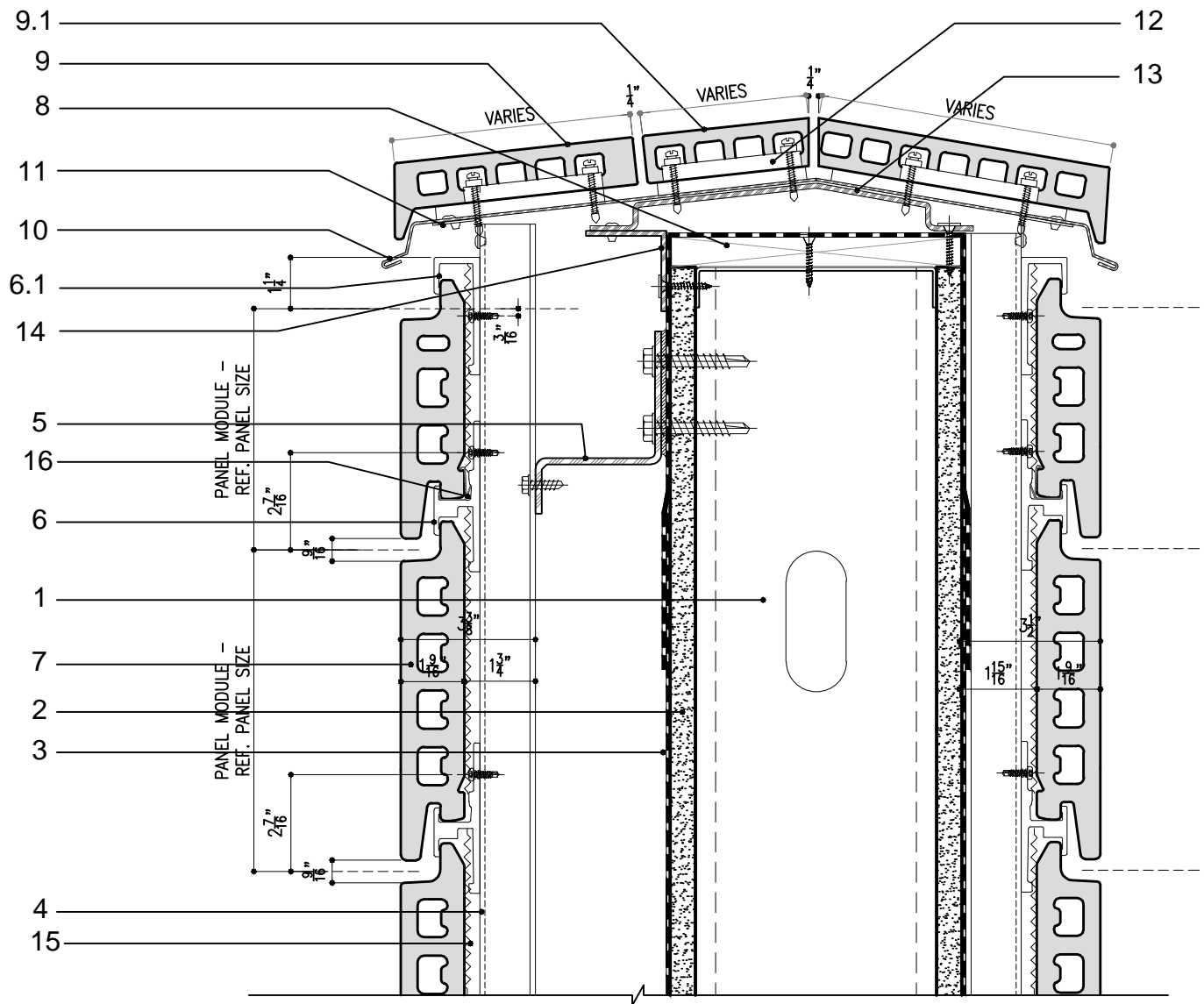
COPING DETAIL W/ ALUMINUM CAP

Note: This is conceptual detail; project specific details must be reviewed with Shildan



Shildan, Inc.
2047 Briggs Road
Mount Laurel, NJ 08054
T: (215) 525-4510
F: (215) 525-4511

©2008 by Shildan, Inc.



- | | | | |
|------|---|-----|-----------------------------------|
| 1. | Metal Studs wall cavity | 11. | Formed aluminum stiffening clips |
| 2. | Substrate | 12. | Pressure attachment clip assembly |
| 3. | Moisture barrier | 13. | Bent aluminum profile |
| 4. | Vertical support aluminum extrusion | 14. | Aluminum clip angle |
| 5. | Aluminum horizontal Z-girts (or double L angles) | 15. | Pressure gasket |
| 6. | Terra cotta panel middle aluminum clip | 16. | Stainless steel spring clip |
| 6.1 | Terra cotta panel top aluminum clip | | |
| 7. | LONGOTON® terra cotta panel | | |
| 8. | Blocking | | |
| 9. | Terra cotta sill | | |
| 9.1. | Terra cotta sill cut to size | | |
| 10. | Formed aluminum flashing/support profile for T.C. | | |

Version - 7.0

SYSTEM: LONGOTON	DETAIL No.	OPTION.
M2	14	b

COPING DETAIL W/ T.C. SILL PANELS

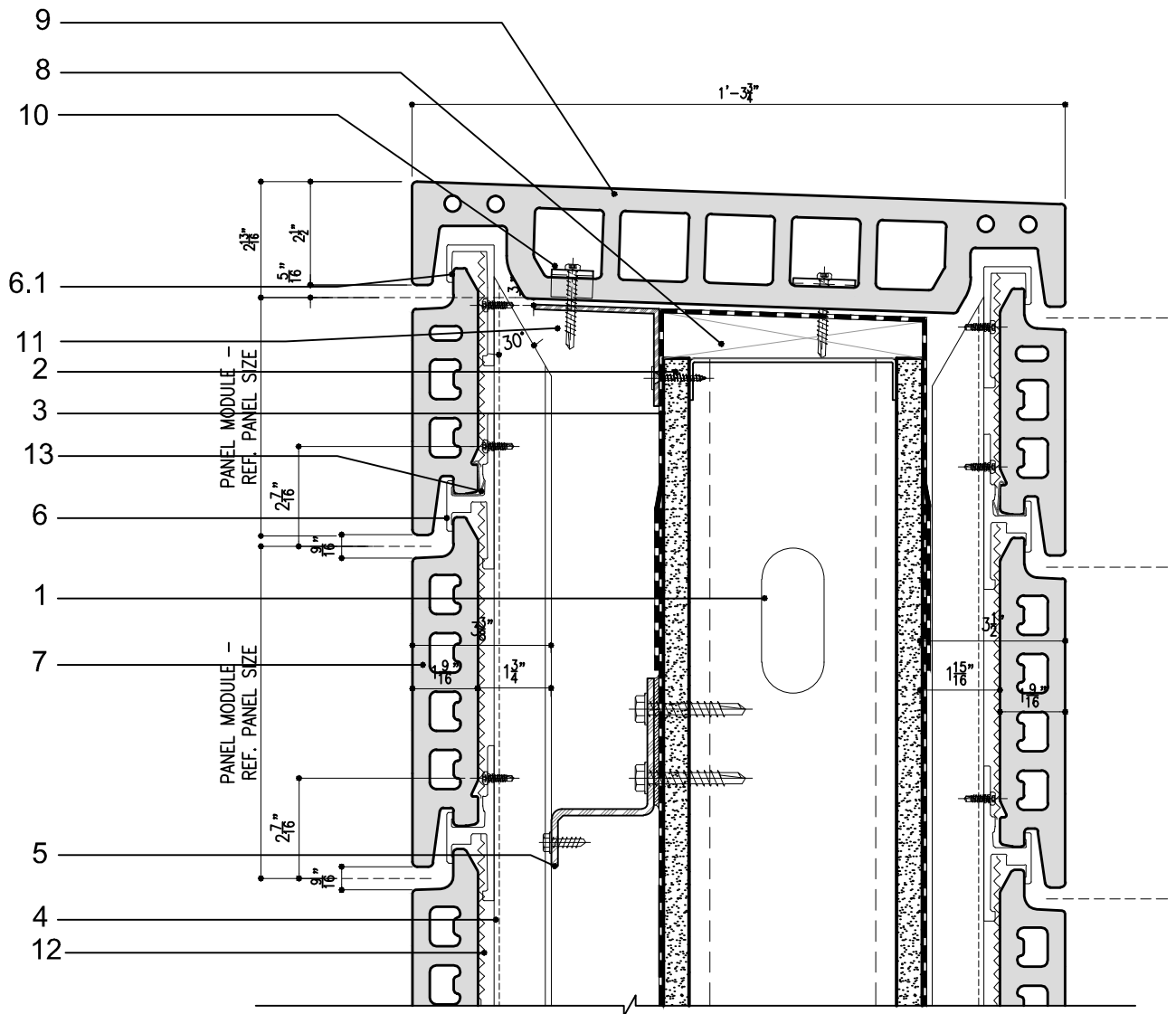
Note: This is conceptual detail; project specific details must be reviewed with Shildan



Shildan, Inc.

2047 Briggs Road
Mount Laurel, NJ 08054
T: (215) 525-4510
F: (215) 525-4511

©2008 by Shildan, Inc.



- | | | | |
|-----|--|-----|----------------------------|
| 1. | Metal Studs wall cavity | 11. | Aluminum clip angle |
| 2. | Substrate | 12. | Pressure gasket |
| 3. | Moisture barrier | 13. | Stainless steel Rapid clip |
| 4. | Vertical support aluminum extrusion | | |
| 5. | Aluminum horizontal Z-girts (or double L angles) | | |
| 6. | Terra cotta panel middle aluminum clip | | |
| 6.1 | Terra cotta panel top aluminum clip | | |
| 7. | LONGOTON® terra cotta panel | | |
| 8. | Blocking | | |
| 9. | Terra cotta coping | | |
| 10. | Alum. coping claw clip insert | | |

Version - 7.0

SYSTEM: LONGOTON	DETAIL No.	OPTION.
M2	14	C

COPING DETAIL W/ T.C. PANEL

Note: This is conceptual detail; project specific details must be reviewed with Shildan



Shildan, Inc.

2047 Briggs Road
Mount Laurel, NJ 08054
T: (215) 525-4510
F: (215) 525-4511

©2008 by Shildan, Inc.