

- 1. Metal studs
- 2. Substrate
- 3. Moisture barrier
- 4. Mineral wool type insulation (thickness per spec.)
- 5. Aluminum horizontal Z-girts (or double L angles)
- 6. LONGOTON® terra cotta panel
- 7. Vertical support aluminum extrusion / M2-MP
- 7.1. Vertical support aluminum extrusion / M2-EP
- 8. Terra cotta panel aluminum clip
- 9. Different finish

Version-7.0

SYSTEM: LONGOTON	DETAIL No.	OPTION.
M2	8	a

### TERMINATION DETAIL AGAINST A WALL

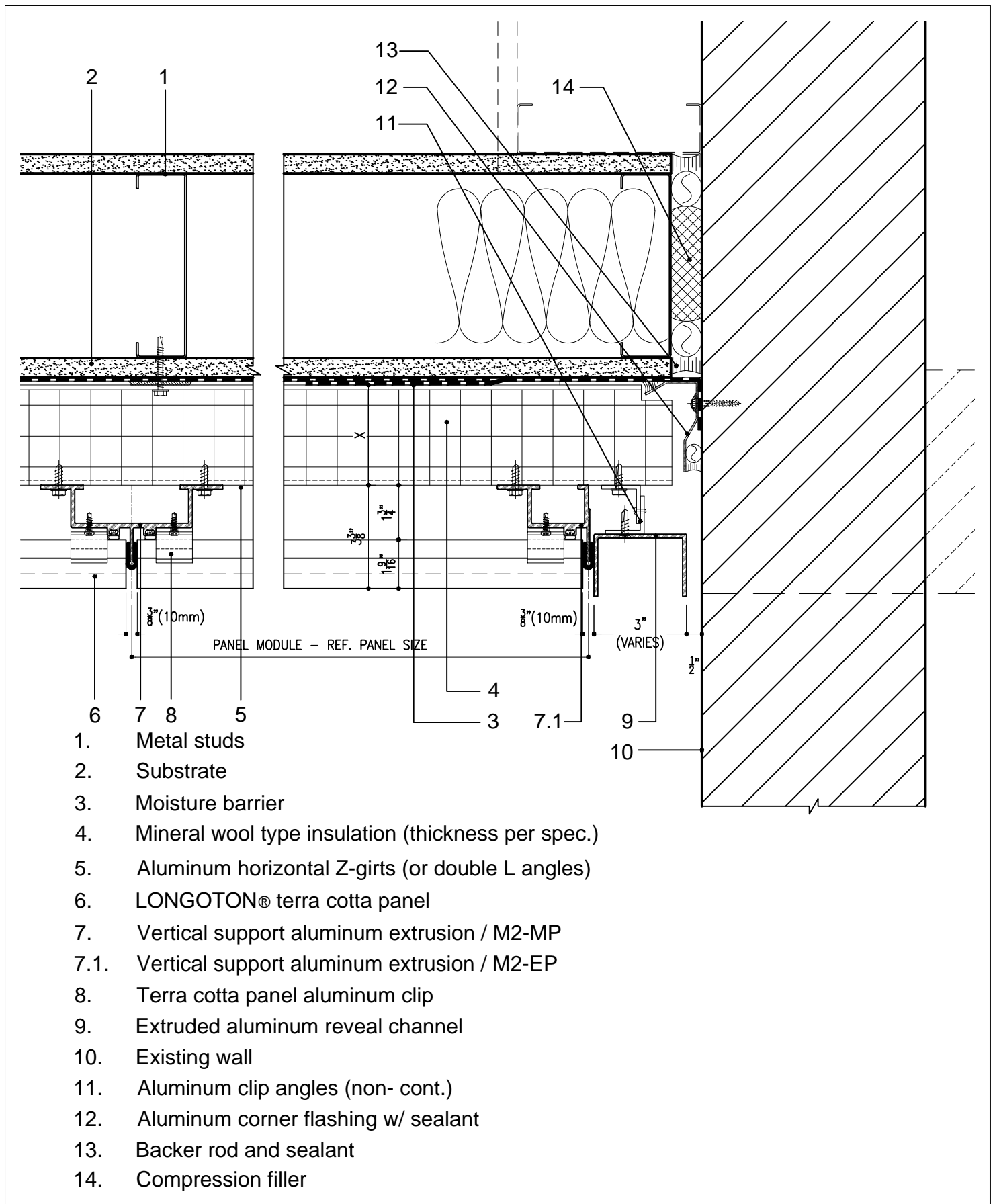
Note: This is conceptual detail; project specific details must be reviewed with Shildan



**Shildan, Inc.**

2047 Briggs Road  
Mount Laurel, NJ 08054  
T: (215) 525-4510  
F: (215) 525-4511

©2008 by Shildan, Inc.



Version-7.0

SYSTEM: LONGOTON	DETAIL No.	OPTION.
<b>M2</b>	<b>8</b>	<b>b</b>

## TERMINATION DETAIL AGAINST A WALL W/ REVEAL

Note: This is conceptual detail; project specific  
details must be reviewed with Shildan



**Shildan, Inc.**

2047 Briggs Road  
Mount Laurel, NJ 08054  
T: (215) 525-4510  
F: (215) 525-4511

©2008 by Shildan, Inc.