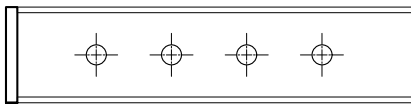
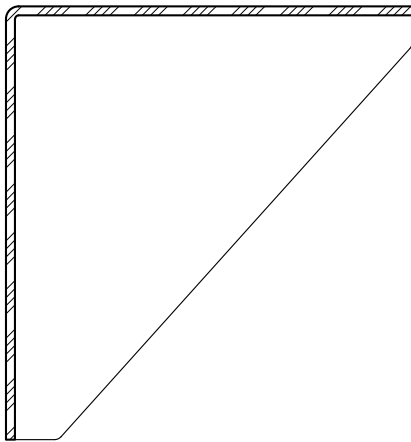


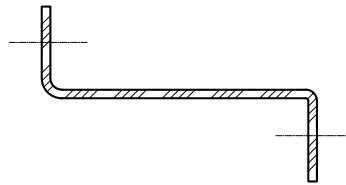
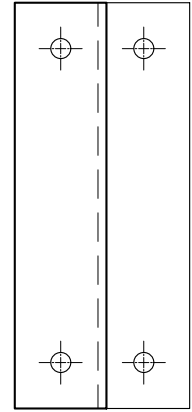
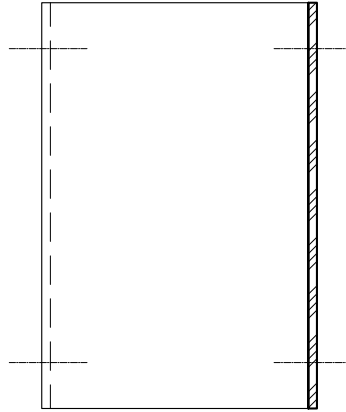
10a

COMPOSITE ELEMENT AT LIVE LOAD BRACKET



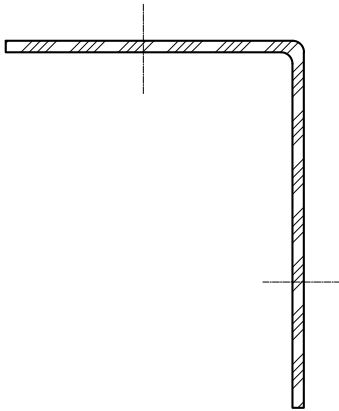
10b

Z-PROJECTED PLATE AT DEAD LOAD BRACKET



10c

COMPOSITE ELEMENT AT LIVE LIVE LOAD BRACKET



Version-1.0

SYSTEM: FABRIK	DETAIL No.	OPTION.
FK	1	g

SUPPORT SYSTEM COMPONENTS

Note: This is conceptual detail; project specific details must be reviewed with Shildan



Shildan Texere, LLC.
 2047 Briggs Road
 Mount Laurel, NJ 08054
 T: (215) 525-4510
 F: (215) 525-4511
 ©2015 by Shildan Texere, LLC.