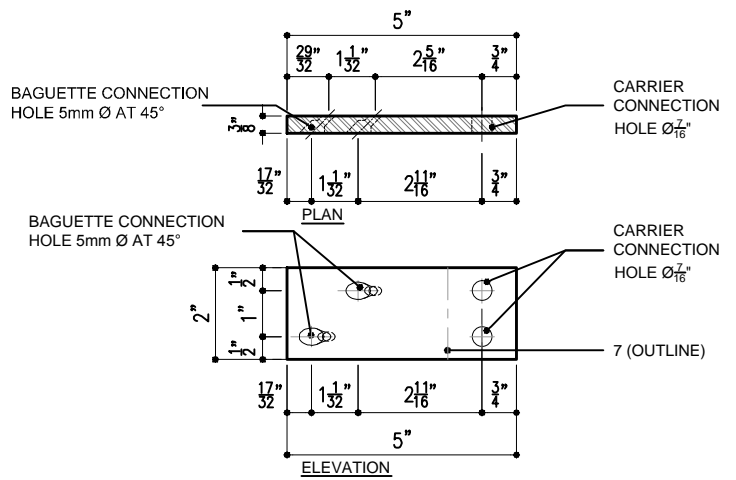
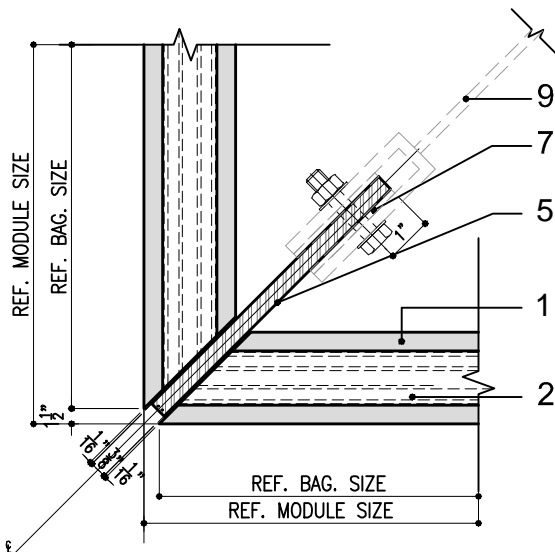


1 CORNER CONNECTION PLAN DETAIL-BOLTED

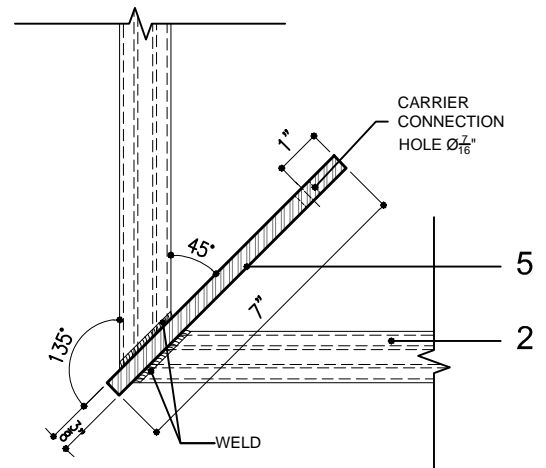
BAGUETTE 50mmX 50mm  
SHOWN AS AN EXAMPLE



2 ENDPLATE (AT CORNER)



3 CORNER CONNECTION PLAN DETAIL-WELDED



4 CORNER PLATE/ INNERTUBE WELDED MODULE

- 1- Terra Cotta Baguette Module
- 2- Aluminum Reinforcement Inner Tube
- 3- Countersunk Screw, Stainless Steel Recommended
- 4- Gasket
- 5- 3/8" Aluminum Corner Plate
- 6- Bolt, Stainless Steel Recommended
- 7- Optional Insulating Shim
- 8- Continuous Painted Aluminum Carrier Plate
- 9- Painted Aluminum Tie-Back Bracket

Version-5

SYSTEM:

Baguette

DETAIL No.

0

OPTION.

j

BAUGETTE  
SYSTEM COMPONENTS  
CORNER CONNECTION

Note: This is conceptual detail; project specific details must be reviewed with Shildan



Shildan, Inc.

2047 Briggs Road  
Mount Laurel, NJ 08054  
T: (215) 525-4510  
F: (215) 525-4511

©2008 by Shildan, Inc.