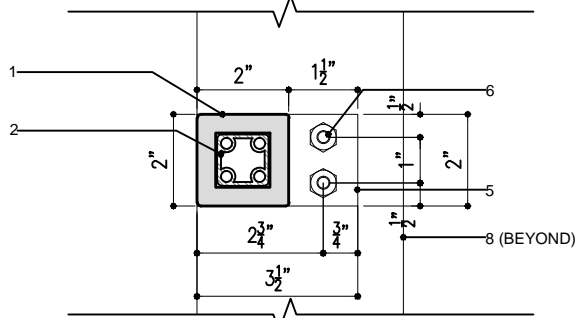
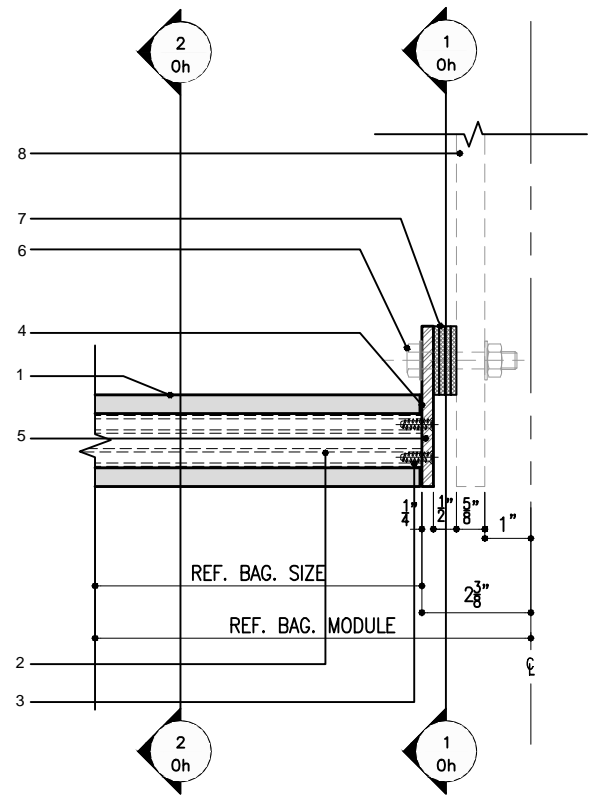


1 COMPONENTS SECTION DETAIL (AT END PLATE)



2 COMPONENTS SECTION DETAIL (THROUGH BAGUETTE)



5 COMPONENTS PLAN DETAIL

BAGUETTE 50mmX 50mm
SHOWN AS AN EXAMPLE

- 1- Terra Cotta Baguette Module
- 2- Aluminum Reinforcement Inner Tube
- 3- Countersunk Screw, Stainless Steel Recommended
- 4- Gasket
- 5- $\frac{3}{8}$ " Aluminum Corner Plate
- 6- Bolt, Stainless Steel Recommended
- 7- Optional Insulating Shim
- 8- Continuous Painted Aluminum Carrier Plate
- 9- Painted Aluminum Tie-Back Bracket

Version-5

SYSTEM:

Baguette

DETAIL No.

0

OPTION.

h

BAGUETTE
SYSTEM COMPONENTS
END BOLTED CONNECTION

Note: This is conceptual detail; project specific details must be reviewed with Shildan



Shildan, Inc.

2047 Briggs Road
Mount Laurel, NJ 08054
T: (215) 525-4510
F: (215) 525-4511

©2008 by Shildan, Inc.