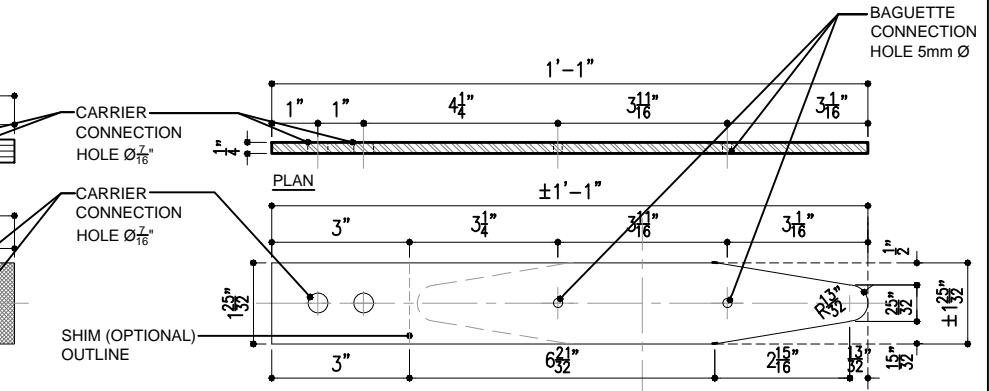
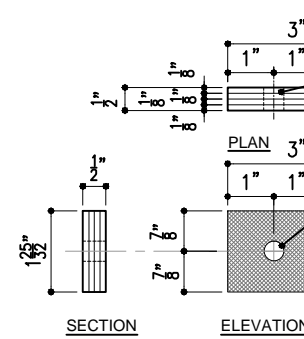
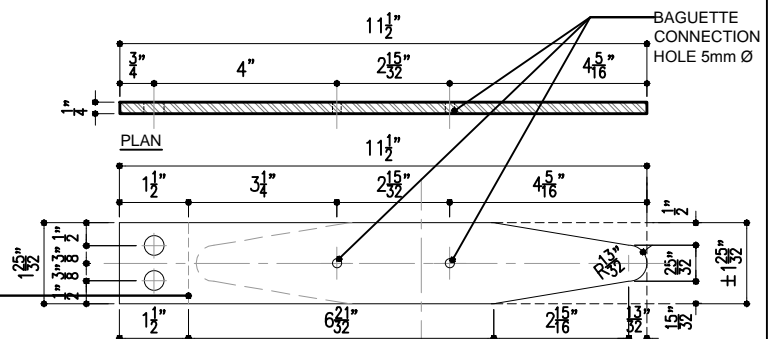
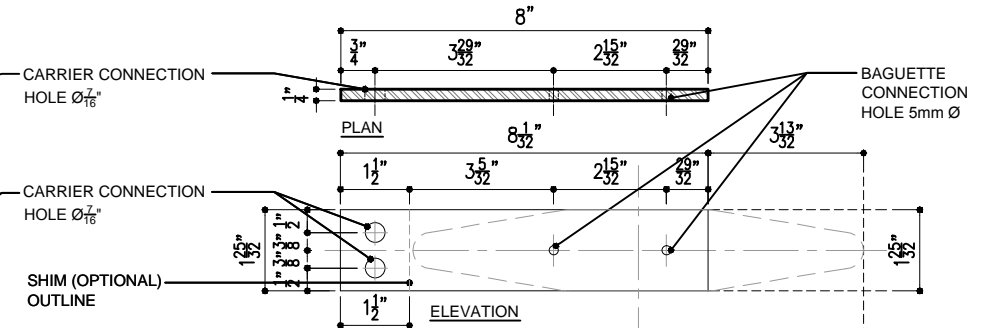
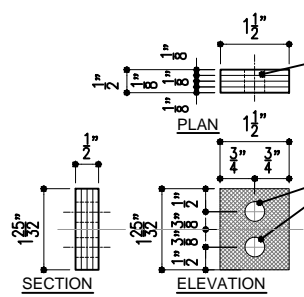
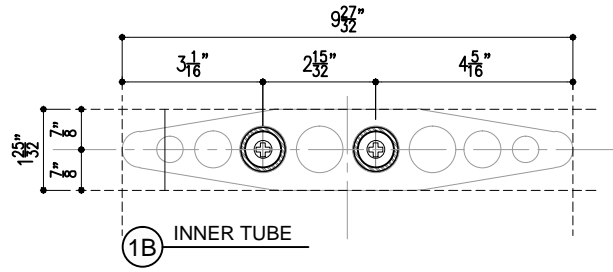
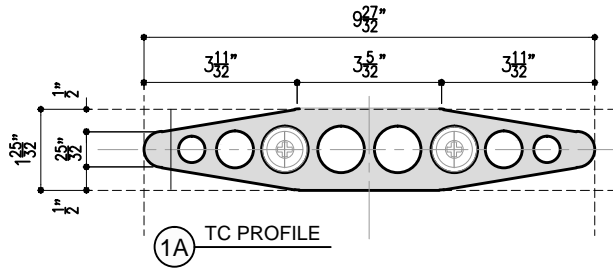


LAMELLE TYPE 1 (BLENDE 1)  
250mmX45mm



\*CUSTOM SIZES AND SHAPES ARE AVAILABLE \*\* TC=TERRA COTTA  
\*\*\* ALL HOLE AND PLATE THICKNESSES ARE SUBJECT TO ENGINEERING APPROVAL

Version-5	SYSTEM:	DETAIL No.	OPTION.
	<b>Baguette</b>	<b>0</b>	<b>d</b>

STANDARD LAMELLE TILE  
MODULE & SYSTEM  
COMPONENTS

Note: This is conceptual detail; project specific details must be reviewed with Shildan



**Shildan, Inc.**  
2047 Briggs Road  
Mount Laurel, NJ 08054  
T: (215) 525-4510  
F: (215) 525-4511  
©2008 by Shildan, Inc.