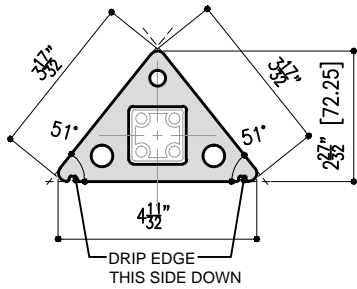
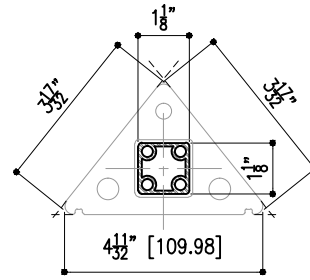


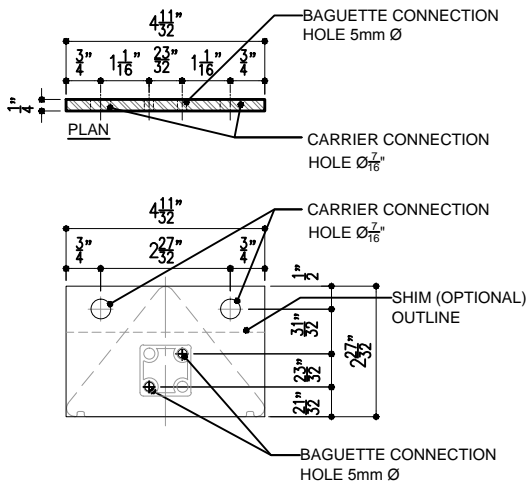
BAGUETTE 3 SIDED - SPECIAL FORMAT (3 KANT SONDERFORMAT)  
 (W=110mm X H=72.25mm)



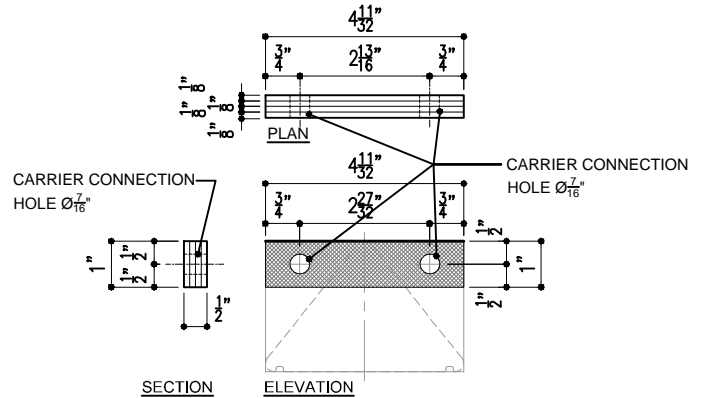
1A TC PROFILE



1B INNER TUBE



1C END PLATE



1D SHIM (OPTIONAL)

\*CUSTOM SIZES AND SHAPES ARE AVAILABLE \*\* TC=TERRA COTTA  
 \*\*\* ALL HOLE AND PLATE THICKNESSES ARE SUBJECT TO ENGINEERING APPROVAL

Version-5  
 SYSTEM:

DETAIL No. OPTION.

Baguette

0

C

STANDARD BAGUETTE TILE  
 MODULE & SYSTEM  
 COMPONENTS

Note: This is conceptual detail; project specific details must be reviewed with Shildan



**Shildan, Inc.**  
 2047 Briggs Road  
 Mount Laurel, NJ 08054  
 T: (215) 525-4510  
 F: (215) 525-4511  
 ©2008 by Shildan, Inc.