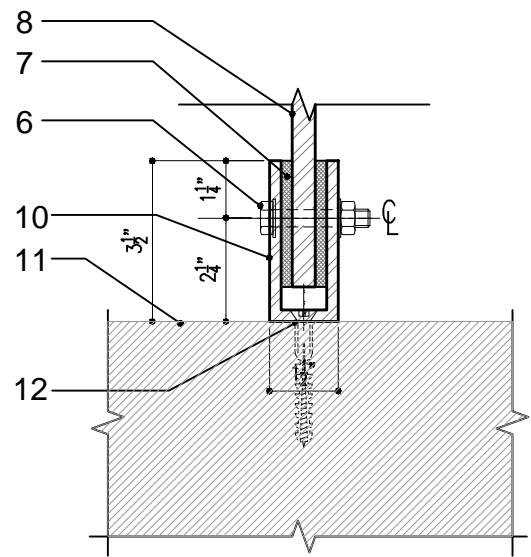


1 SECTION DETAIL - AT SHOE BRACKET



2 SECTION DETAIL - AT SHOE BRACKET

* Per Architect's Design

- 1- Terra Cotta Baguette Module
- 2- Aluminum Reinforcement Inner Tube
- 3- Countersunk Screw, Stainless Steel Recommended
- 4- Gasket
- 5- 1/4" Aluminum End Plate
- 6- Bolt, Stainless Steel Recommended
- 7- Optional Insulating Shim
- 8- Continuous Painted Aluminum Carrier Plate
- 9- Painted Aluminum Tie-Back Bracket
- 10- "U" Shaped Floor Bracket
- 11- Finished Floor
- 12- Counter-sunk Floor Anchors

Version-5

SYSTEM:

Baguette

DETAIL No.

8

OPTION.

a

SECTION DETAIL
SHOE BRACKET
TERMINATION

Note: This is conceptual detail; project specific details must be reviewed with Shildan



Shildan, Inc.

2047 Briggs Road
Mount Laurel, NJ 08054
T: (215) 525-4510
F: (215) 525-4511

©2008 by Shildan, Inc.