

- 1- Terra Cotta Baguette Module
- 2- Aluminum Reinforcement Inner Tube
- 3- Countersunk Screw, Stainless Steel Recommended
- 4- Gasket
- 5- $\frac{1}{4}$ " Aluminum End Plate
- 6- Bolt, Stainless Steel Recommended
- 7- Optional Insulating Shim
- 8- Continuous Painted Aluminum Carrier Plate
- 9- Painted Aluminum Tie-Back Bracket
- 10- Structure
- 11- Shim for Separation Between Dissimilar Metals

Version-5

SYSTEM:

Baguette

DETAIL No.

3

OPTION.

a

PLAN DETAIL
AT OUTSIDE CORNER
WITH MITER CUT

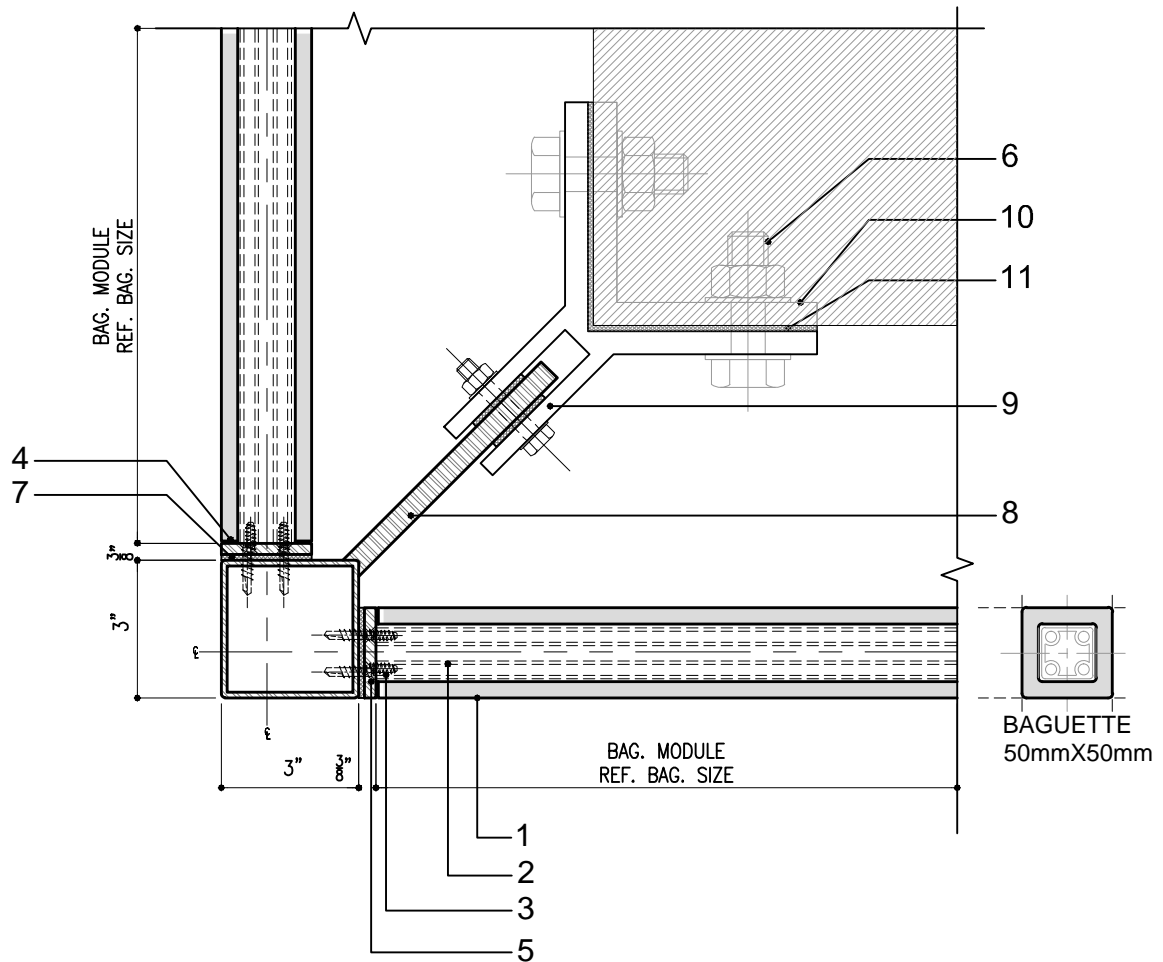
Note: This is conceptual detail; project specific details must be reviewed with Shildan



Shildan, Inc.

2047 Briggs Road
Mount Laurel, NJ 08054
T: (215) 525-4510
F: (215) 525-4511

©2008 by Shildan, Inc.



- 1- Terra Cotta Baguette Module
- 2- Aluminum Reinforcement Inner Tube
- 3- Countersunk Screw, Stainless Steel Recommended
- 4- Gasket
- 5- $\frac{1}{4}$ " Aluminum End Plate (Click System)
- 6- Bolt, Stainless Steel Recommended
- 7- Optional Insulating Shim
- 8- Continuous Painted Aluminum Carrier Plate
- 9- Painted Aluminum Tie-Back Bracket (Non-Cont.)
- 10- Structure
- 11- Shim for Separation Between Dissimilar Metals

Version-5

SYSTEM:

Baguette

DETAIL No.

3

OPTION.

b

PLAN DETAIL
AT OUTSIDE CORNER WITH
CORNER TUBE & CLICK SYS.

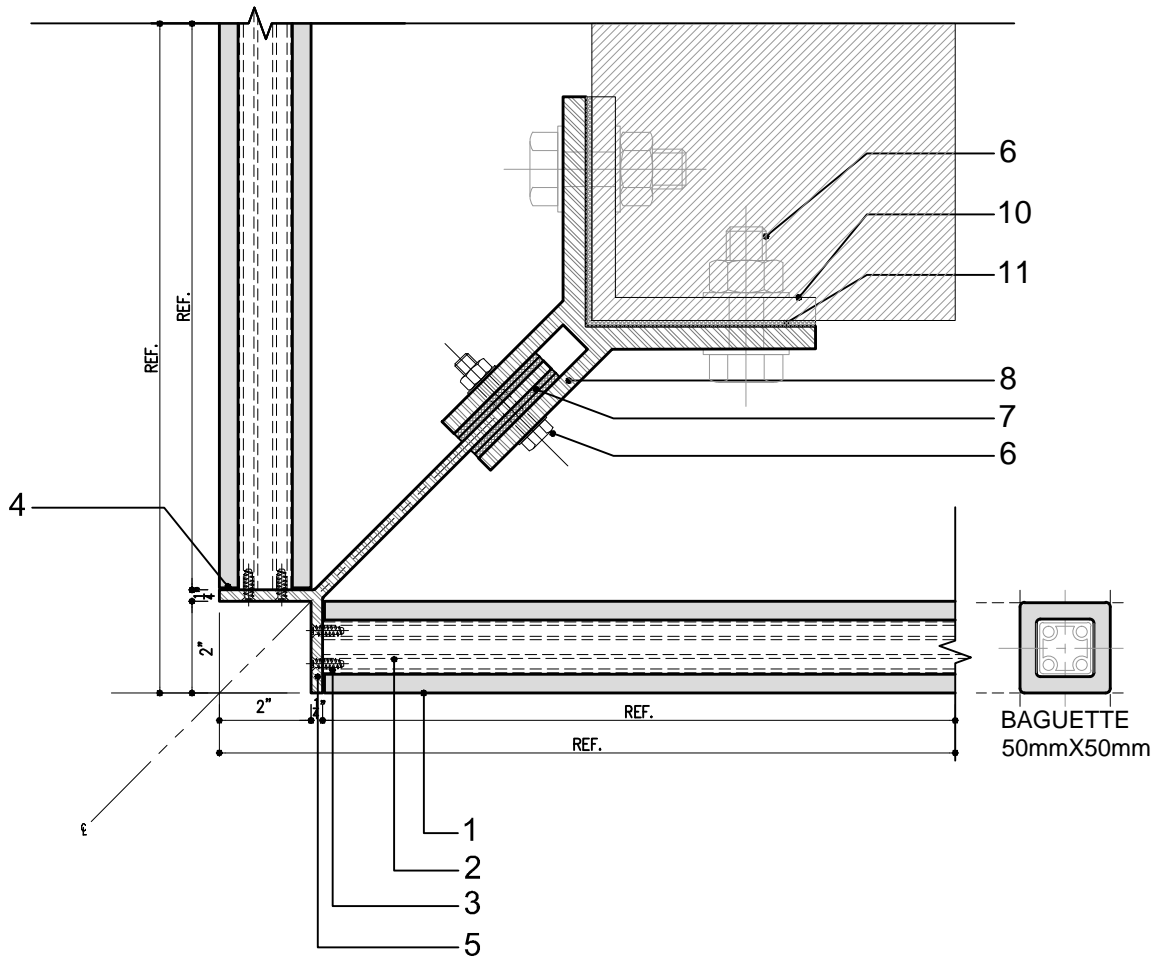
Note: This is conceptual detail; project specific details must be reviewed with Shildan



Shildan, Inc.

2047 Briggs Road
Mount Laurel, NJ 08054
T: (215) 525-4510
F: (215) 525-4511

©2008 by Shildan, Inc.



- 1- Terra Cotta Baguette Module
- 2- Aluminum Reinforcement Inner Tube
- 3- Countersunk Screw, Stainless Steel Recommended
- 4- Gasket
- 5- $\frac{1}{4}$ " Aluminum End Plate
- 6- Bolt, Stainless Steel Recommended
- 7- Optional Insulating Shim
- 8- Continuous Painted Aluminum Carrier Plate
- 9- Painted Aluminum Tie-Back Bracket (Cont.)
- 10- Structure
- 11- Shim for Separation Between Dissimilar Metals

Version-5

SYSTEM:

Baguette

DETAIL No.

3

OPTION.

C

PLAN DETAIL
AT OUTSIDE CORNER
WITH REVEAL ANGLE

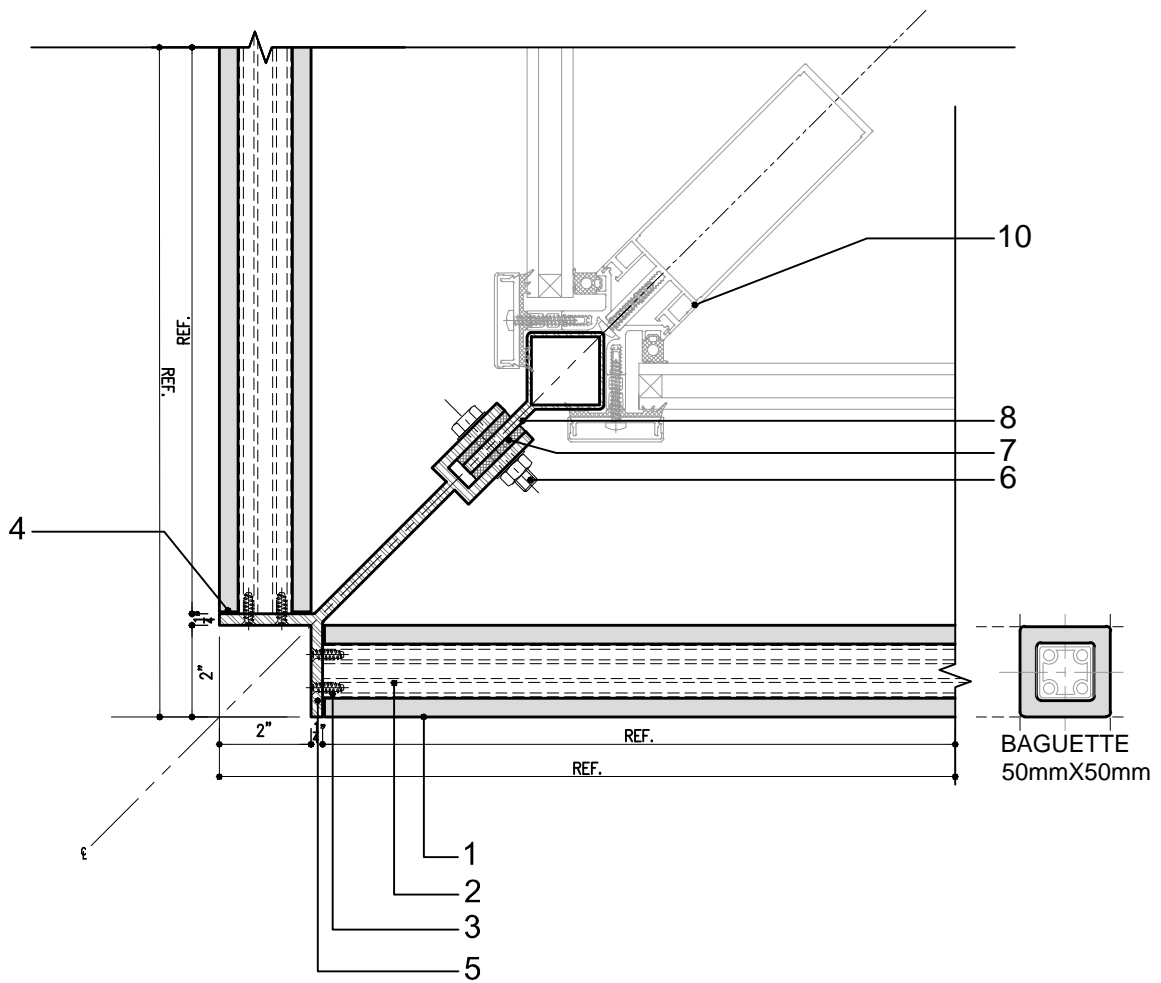
Note: This is conceptual detail; project specific details must be reviewed with Shildan



Shildan, Inc.

2047 Briggs Road
Mount Laurel, NJ 08054
T: (215) 525-4510
F: (215) 525-4511

©2008 by Shildan, Inc.



- 1- Terra Cotta Baguette Module
- 2- Aluminum Reinforcement Inner Tube
- 3- Countersunk Screw, Stainless Steel Recommended
- 4- Gasket
- 5- 1/4" Aluminum End Plate (2" high Fork)
- 6- Bolt, Stainless Steel Recommended
- 7- Optional Insulating Shim
- 8- Continuous Painted Aluminum Carrier Plate installed in Curtain Wall
- 9- Painted Aluminum Tie-Back Bracket
- 10- Curtain Wall Corner Mullion

Version-5

SYSTEM:

Baguette

DETAIL No.

3

OPTION.

d

PLAN DETAIL
AT OUTSIDE CORNER
ATTACHED TO CURTAIN WALL

Note: This is conceptual detail; project specific details must be reviewed with Shildan



Shildan, Inc.

2047 Briggs Road
Mount Laurel, NJ 08054
T: (215) 525-4510
F: (215) 525-4511

©2008 by Shildan, Inc.