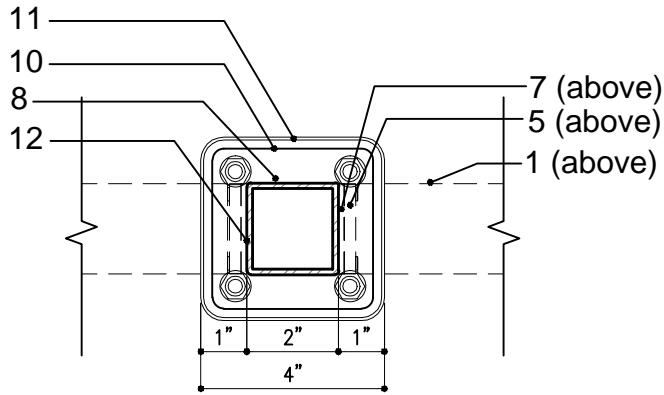


① PLAN DETAIL - AT TILE

② PLAN DETAIL - AT END CONDITION



③ PLAN DETAIL - AT BASE PLATE

- 1- Terra Cotta Baguette Module
- 2- Aluminum Reinforcement Inner Tube
- 3- Countersunk Screw, Stainless Steel Recommended
- 4- Gasket
- 5- 1/4" Aluminum End Plate
- 6- Bolt, Stainless Steel Recommended
- 7- Optional Insulating Shim
- 8- Continuous Painted Aluminum Carrier Plate
- 9- Painted Aluminum Tie-Back Bracket
- 10- Cover Plate
- 11- Metal Coping
- 12- 2"x2" Steel Post

Version-5

SYSTEM:

Baguette

DETAIL No.

2

OPTION.

i

PLAN DETAIL
PARAPET RAILING

Note: This is conceptual detail; project specific details must be reviewed with Shildan



Shildan, Inc.

2047 Briggs Road
Mount Laurel, NJ 08054
T: (215) 525-4510
F: (215) 525-4511

©2008 by Shildan, Inc.