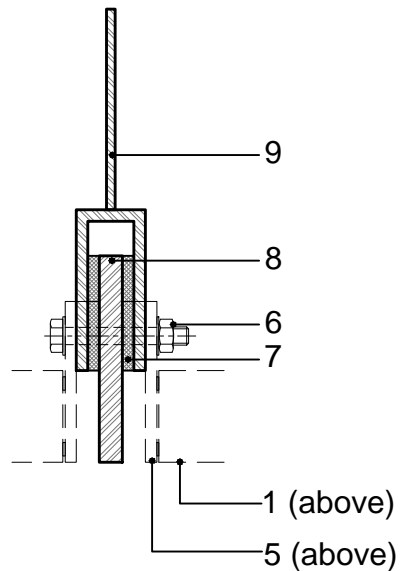
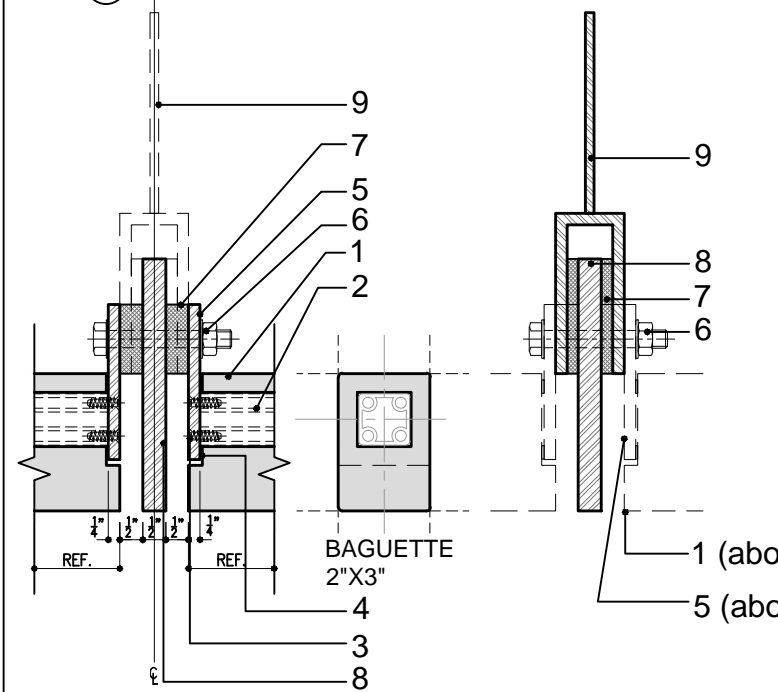


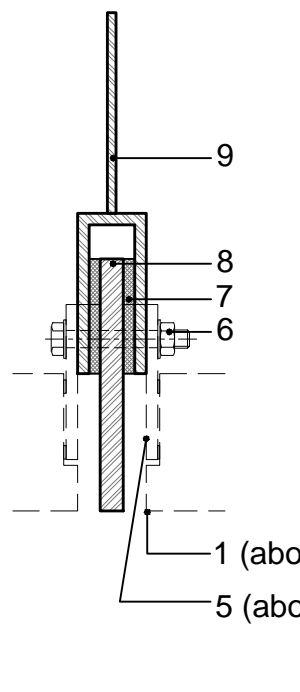
1 PLAN DETAIL - AT BAGUETTE



2 PLAN DETAIL - AT TIE-BACK



3 PLAN DETAIL - AT TILE
BAGUETTE 2"X3"
(NOTCHED TILE)



4 PLAN DETAIL - AT TIE-BACK
BAGUETTE 2"X3"
(NOTCHED TILE)

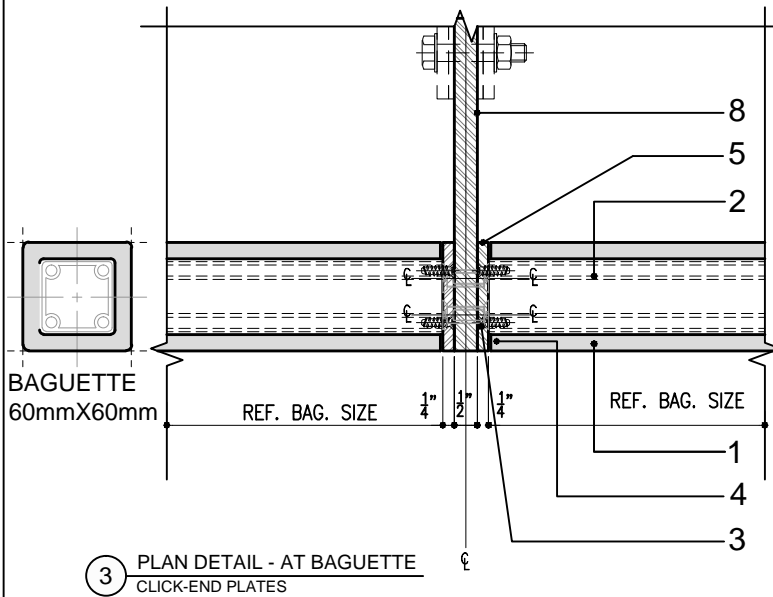
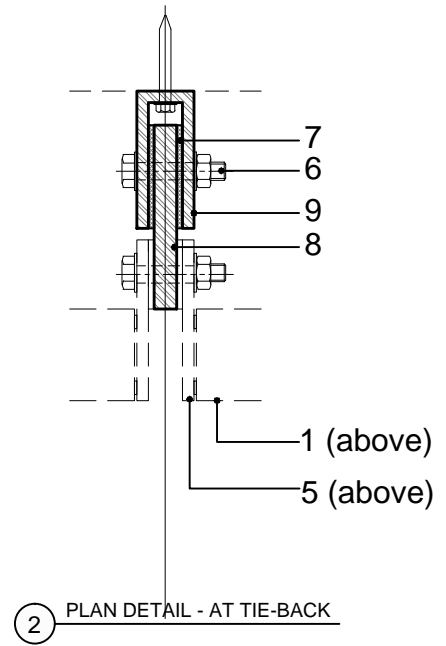
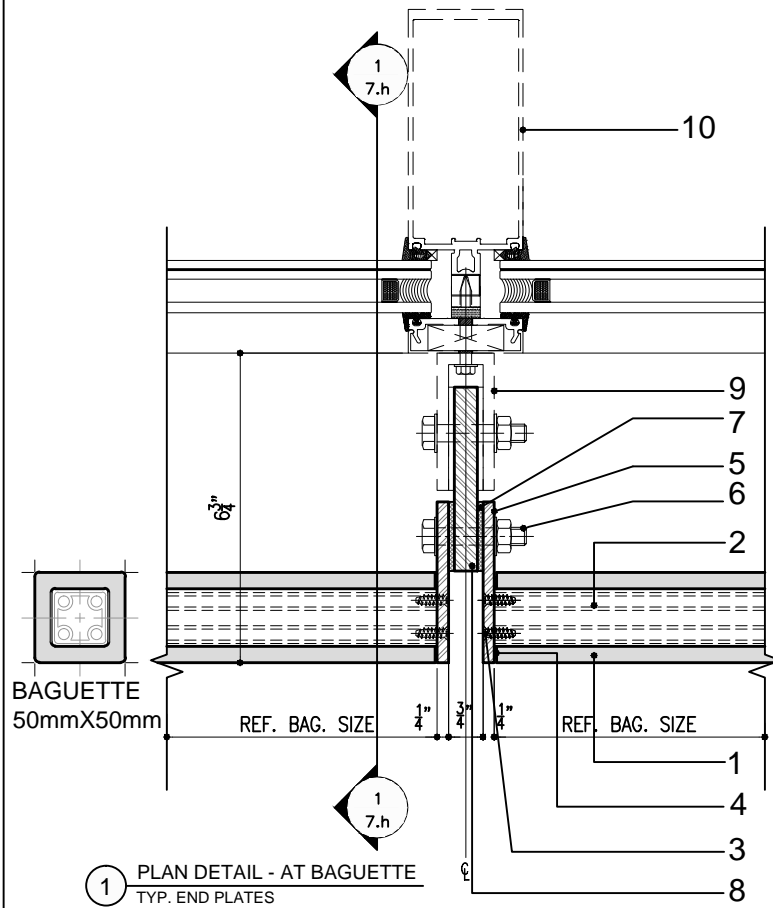
- 1- Terra Cotta Baguette Module
- 2- Aluminum Reinforcement Inner Tube
- 3- Countersunk Screw, Stainless Steel Recommended (Typical of 2)
- 4- Gasket
- 5- 1/4" Aluminum End Plate (end of tile)
- 6- Bolt, Stainless Steel Recommended
- 7- Optional Insulating Shim
- 8- Continuous Painted Aluminum Carrier Plate
- 9- Painted Aluminum Tie-Back Bracket
- 10- Vertical Curtain Wall Mullion

Version-5	SYSTEM:	DETAIL No.	OPTION.
	Baguette	2	a

PLAN DETAIL-CONNECTION TO CURTAIN WALL-OPT.1

Note: This is conceptual detail; project specific details must be reviewed with Shildan

Shildan, Inc.
 2047 Briggs Road
 Mount Laurel, NJ 08054
 T: (215) 525-4510
 F: (215) 525-4511
 ©2008 by Shildan, Inc.



- 1- Terra Cotta Baguette Module
- 2- Aluminum Reinforcement Inner Tube
- 3- Countersunk Screw, Stainless Steel Recommended (Typical of 2)
- 4- Gasket
- 5- 1/4" Aluminum End Plate (end of tile)
- 6- Bolt, Stainless Steel Recommended
- 7- Optional Insulating Shim
- 8- Continuous Painted Aluminum Carrier Plate
- 9- Painted Aluminum Tie-Back Bracket
- 10- Vertical Curtain Wall Mullion

Version-5

SYSTEM:

Baguette

DETAIL No.

2

OPTION.

b

PLAN DETAIL-CONNECTION
TO CURTAIN WALL-OPT.2

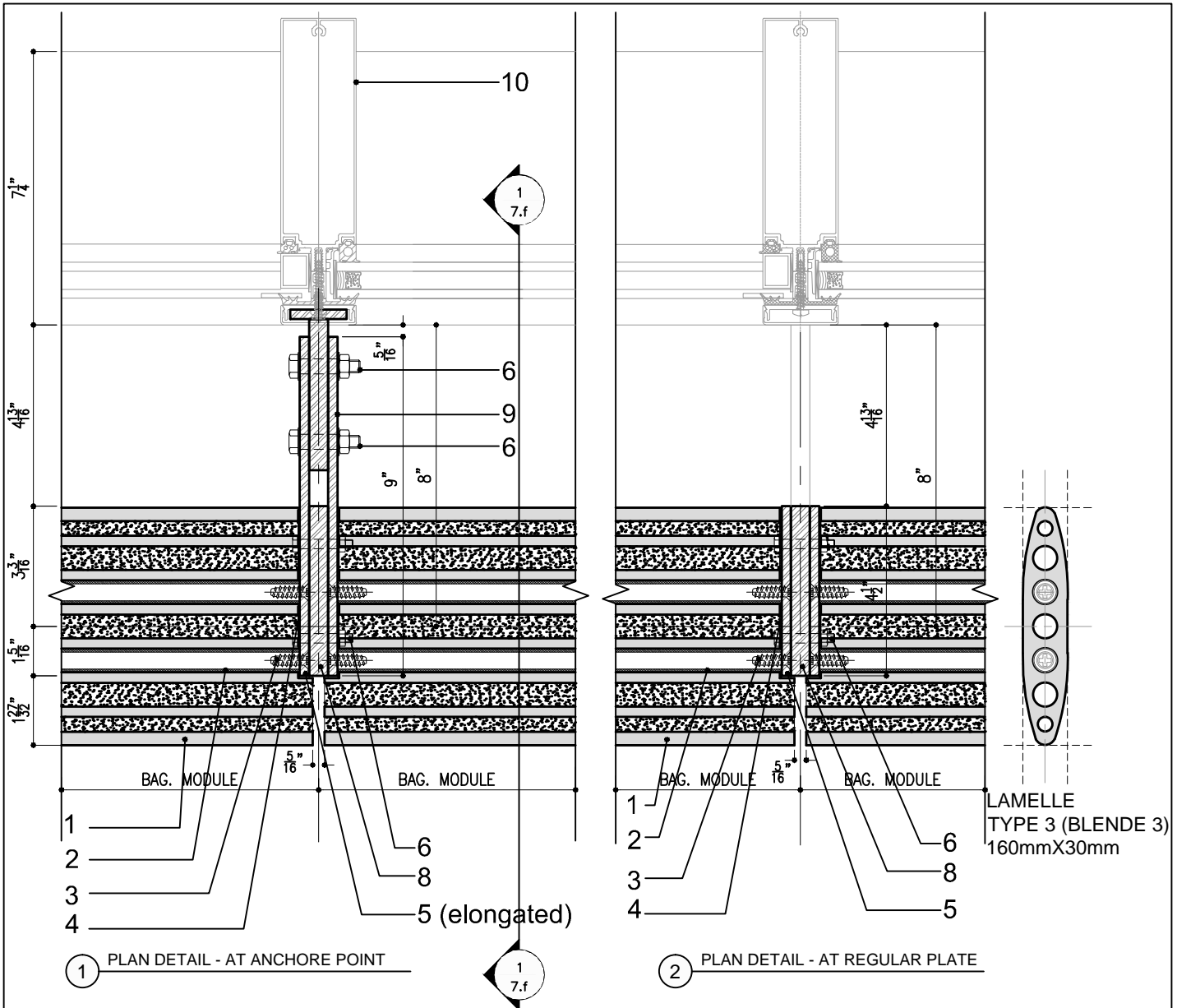
Note: This is conceptual detail; project specific details must be reviewed with Shildan



Shildan, Inc.

2047 Briggs Road
Mount Laurel, NJ 08054
T: (215) 525-4510
F: (215) 525-4511

©2008 by Shildan, Inc.



- 1- Terra Cotta Baguette Module
- 2- Aluminum Reinforcement Inner Tube
- 3- Countersunk Screw, Stainless Steel Recommended
- 4- Gasket
- 5- 1/4" Aluminum End Plate
- 6- Bolt, Stainless Steel Recommended
- 7- Optional Insulating Shim
- 8- Continuous Painted Aluminum Carrier Plate
- 9- Painted Aluminum Tie-Back Bracket
- 10- Vertical Curtain Wall Mullion

Version-5

SYSTEM:

Baguette

DETAIL No.

2

OPTION.

e

PLAN DETAIL
AT LAMELLE TILE

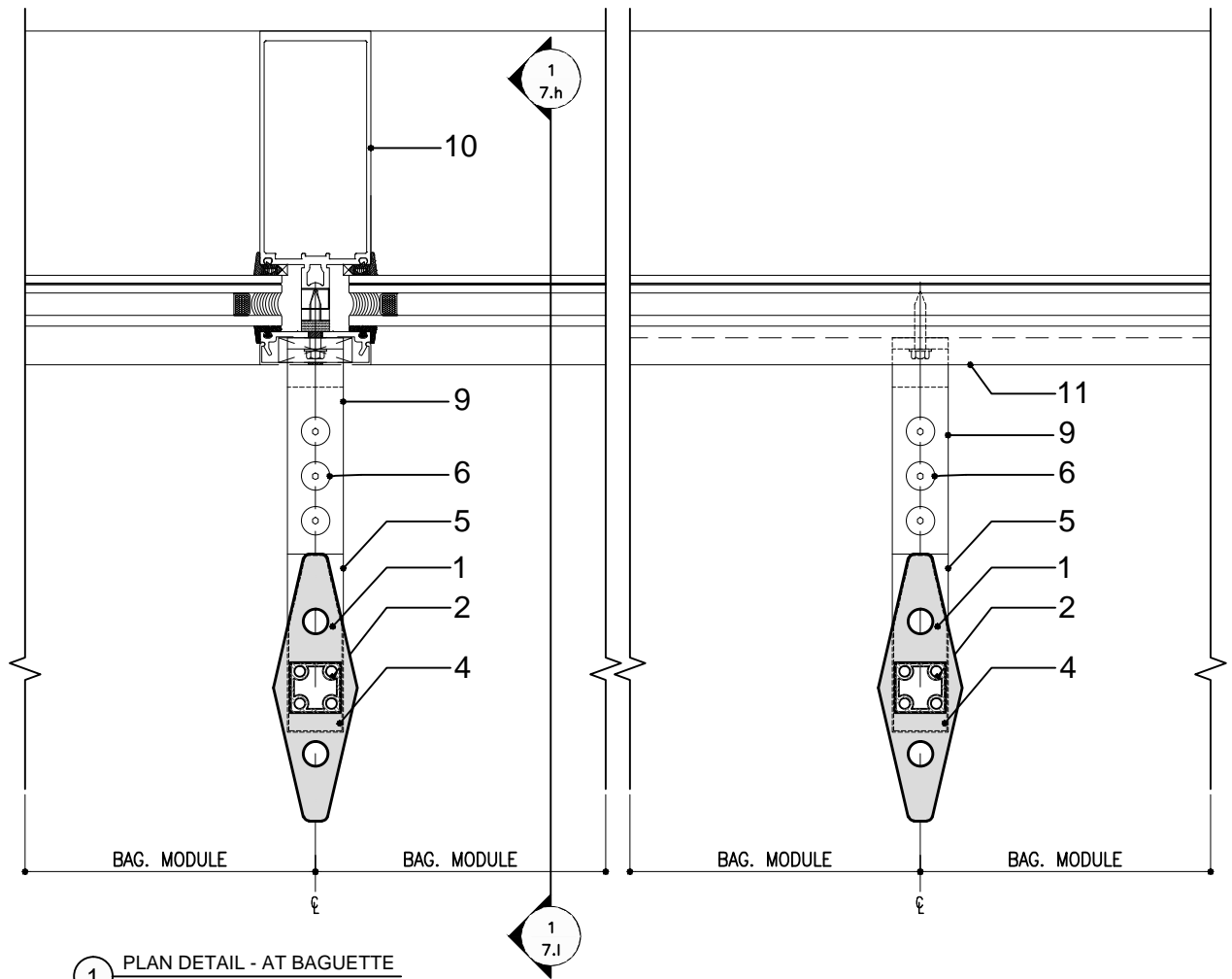
Note: This is conceptual detail; project specific details must be reviewed with Shildan



Shildan, Inc.

2047 Briggs Road
Mount Laurel, NJ 08054
T: (215) 525-4510
F: (215) 525-4511

©2008 by Shildan, Inc.



1 PLAN DETAIL - AT BAGUETTE

- 1- Terra Cotta Baguette Module
- 2- Aluminum Reinforcement Inner Tube
- 3- Countersunk Screw, Stainless Steel Recommended (Typical of 2)
- 4- Gasket
- 5- $\frac{1}{4}$ " Aluminum End Plate (end of tile)
- 6- Bolt, Stainless Steel Recommended
- 7- Optional Insulating Shim
- 8- Continuous Painted Aluminum Carrier Plate
- 9- Painted Aluminum Tie-Back Bracket
- 10- Vertical Curtain Wall Mullion
- 11- Horizontal Curtain Wall Mullion

Version-5

SYSTEM:

Baguette

DETAIL No.

2

OPTION.

g

PLAN DETAIL-VERTICAL BAGUETTE CONNECTION TO CURTAIN WALL

Note: This is conceptual detail; project specific details must be reviewed with Shildan



Shildan, Inc.

2047 Briggs Road
Mount Laurel, NJ 08054
T: (215) 525-4510
F: (215) 525-4511

©2008 by Shildan, Inc.