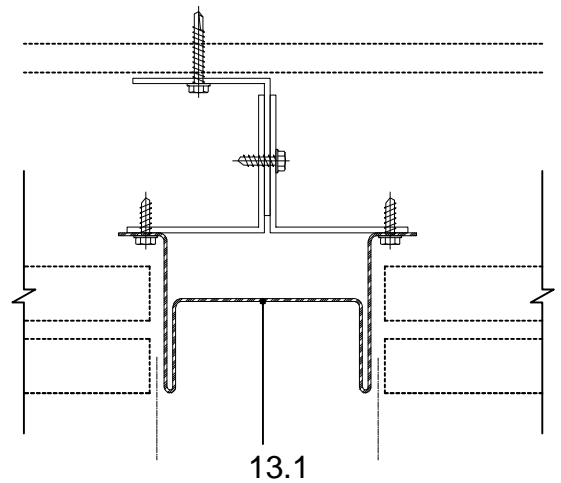


1. Metal studs
2. Substrate
3. Waterproofing membrane
4. Mineral wool type insulation (thickness per spec.)
5. Horizontal substructure aluminum extrusion
6. ALPHATON GEN.06-150 ® terra cotta panel
7. Non-continuous alum. angle bracket (8" long)
8. Continuous aluminum angle (32" or 48" o.c. for stud wall and 60" for CMU wall typ. pending design requirements & engineering)
9. Terra cotta fastening alum. clip
10. Double aluminum clip angles (non cont.)



11. Spacer type "B"
12. Spacer type "C"
13. Extruded aluminum reveal channel
- 13.1. Formed aluminum reveal channel

Version-8

SYSTEM:
ALPHATON

DETAIL No.

OPTION.

Gen. 06

2

-

PLAN REVEAL DETAIL

Note: This is conceptual detail; project specific details must be reviewed with Shildan



Shildan, Inc.

2047 Briggs Road
Mount Laurel, NJ 08054
T: (215) 525-4510
F: (215) 525-4511

©2008 by Shildan, Inc.